

Price difference for kit extractable bat..



DB130.045

Technical drawing

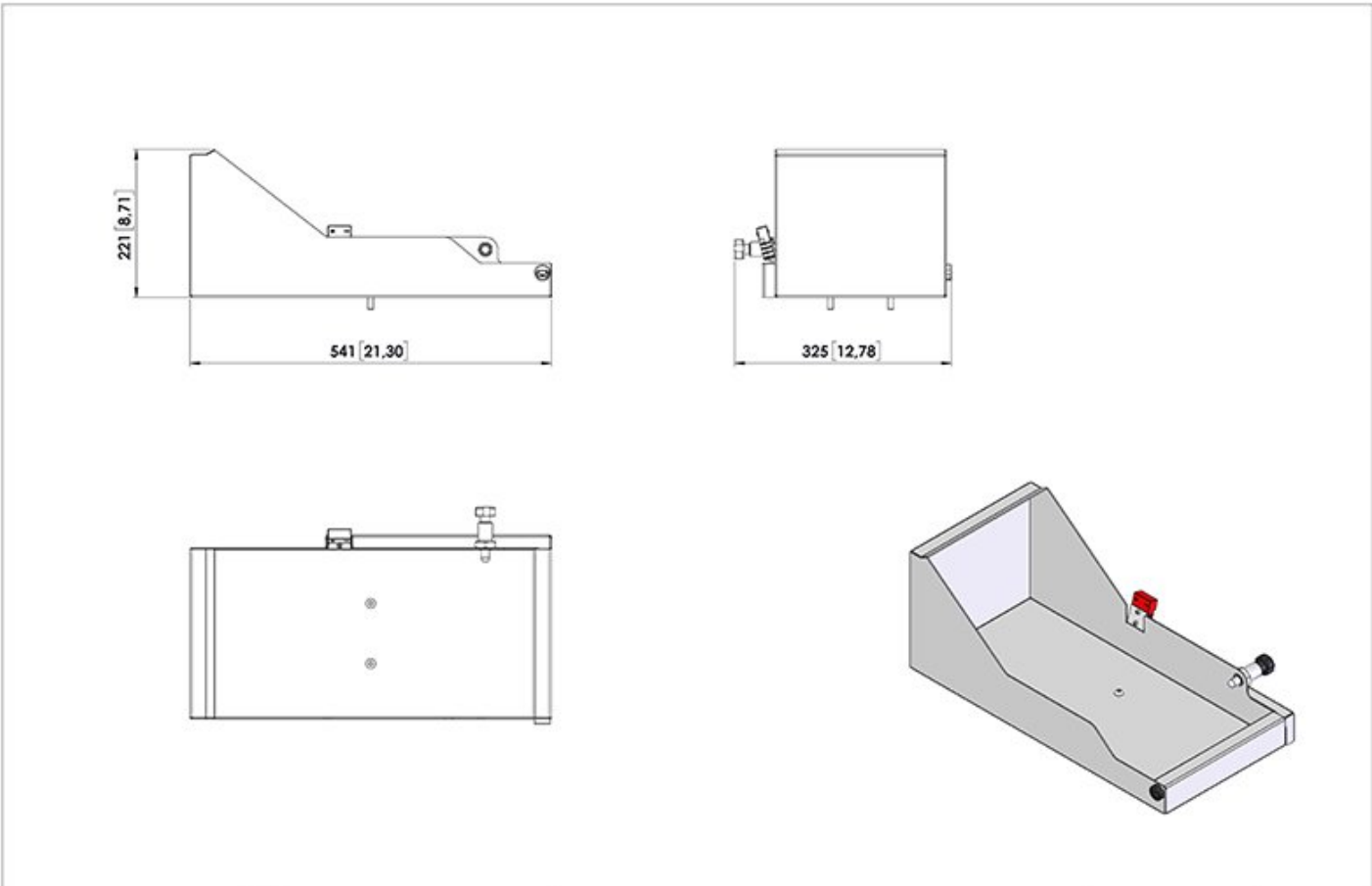


	TABLE: Z531.720===		mm / [inch]	1:5
--	---------------------------	--	-------------	-----

Price difference for kit extractable bat..

Technical data

1. Characteristics

Réf.no.	Description	U.M.	Valeur
1.01	Model number		DB130.045
1.02	Model name		Price difference for kit extractable battery pack (battery pack not included)
1.03	Manufacturer		Zallys

9. Weight

Réf.no.	Description	U.M.	Valeur
9.20	Weight	kg	7

10. Dimensions

Réf.no.	Description	U.M.	Valeur
10.01	Length	mm	541
10.02	Width	mm	325
10.05	Height	mm	221