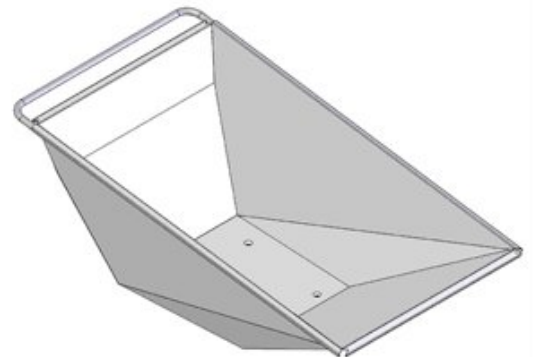
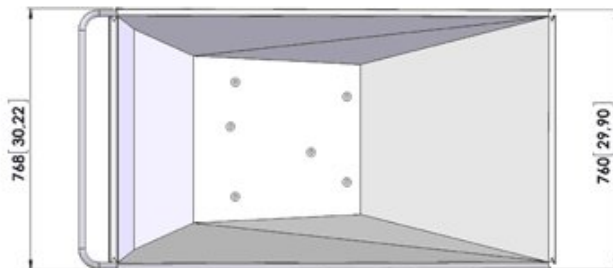
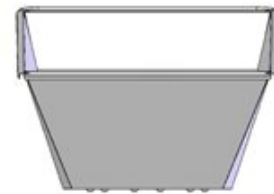
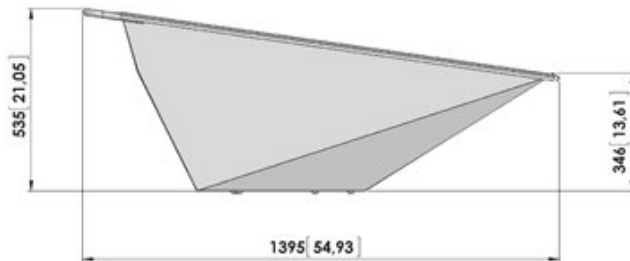


# Galvanized skip 250 L



**A013.800===**

## Technical drawing



# Galvanized skip 250 L

## Technical data

### 1. Characteristics

Réf.no.	Description	U.M.	Valeur
1.01	Model number		A013.800===
1.02	Model name		Galvanized skip 250 L
1.03	Manufacturer		Zallys

### 8. Generic technical data

Réf.no.	Description	U.M.	Valeur
8.23	Structure		In steel
8.24	Surface treatment		Galvanizing

### 9. Weight

Réf.no.	Description	U.M.	Valeur
9.20	Weight	kg	28

### 10. Dimensions

Réf.no.	Description	U.M.	Valeur
10.01	Length	mm	1.395
10.02	Width	mm	760
10.05	Height	mm	535
10.40	Volume(overall dimensions)	m <sup>3</sup>	0,57
10.41	Load capacity	l	250,00
10.50	**For further details please click on technical draws		