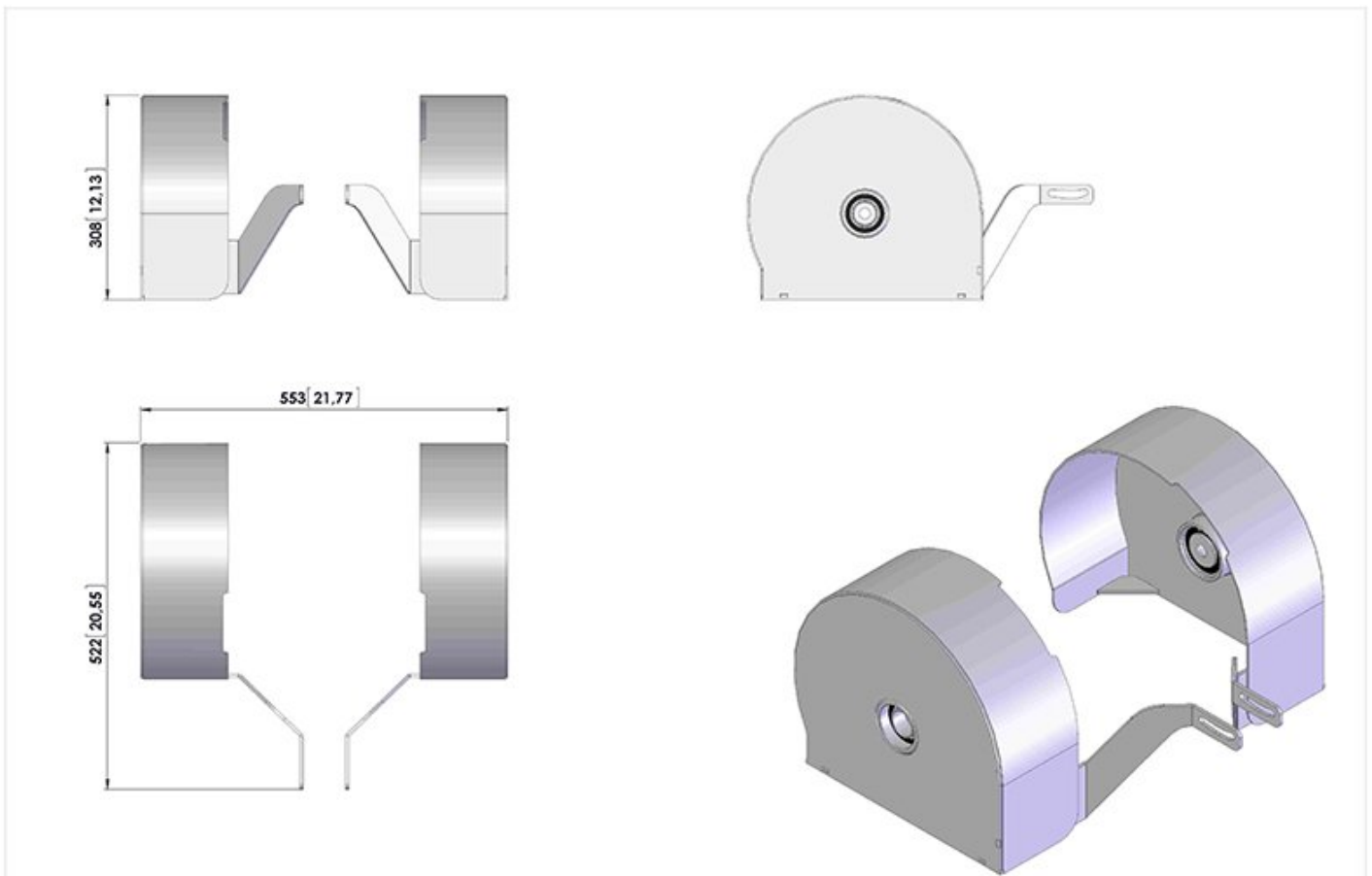


# Wheels guard



**Z172.723===**

## Technical drawing



# Wheels guard

## Technical data

### 1. Characteristics

Réf.no.	Description	U.M.	Valeur
1.01	Model number		Z172.723===
1.02	Model name		Wheels guard
1.03	Manufacturer		Zallys

### 8. Generic technical data

Réf.no.	Description	U.M.	Valeur
8.23	Structure		In steel
8.24	Surface treatment		Galvanizing

### 10. Dimensions

Réf.no.	Description	U.M.	Valeur
10.01	Length	mm	552
10.02	Width	mm	553
10.05	Height	mm	308
10.40	Volume(overall dimensions)	m <sup>3</sup>	0,09
10.50	**For further details please click on technical draws		