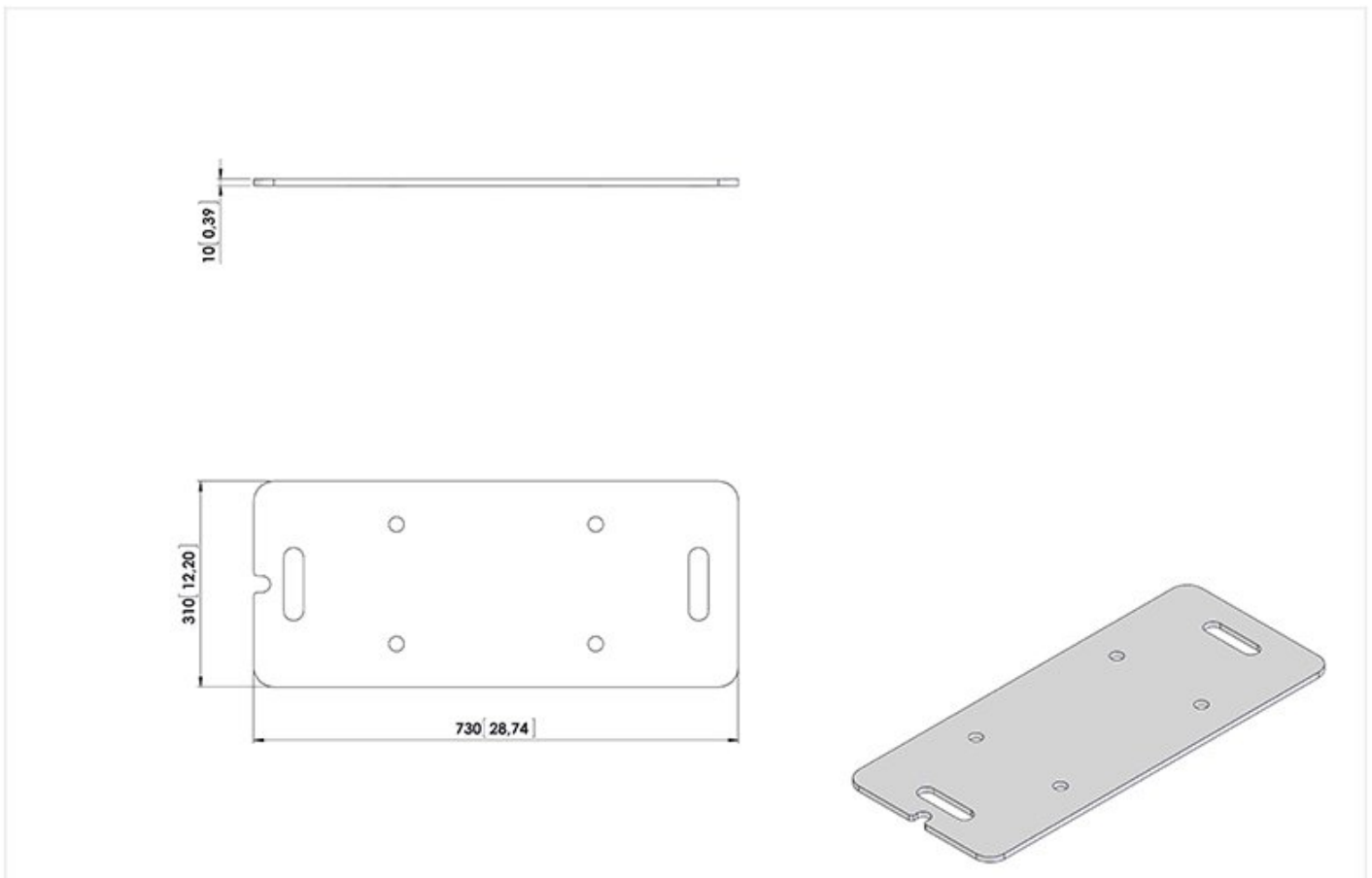


MAX 16 pcs. - 17 kg back ballast



Z169.851

Technical drawing



MAX 16 pcs. - 17 kg back ballast

Technical data

1. Characteristics

Réf.no.	Description	U.M.	Valeur
1.01	Model number		Z169.851
1.02	Model name		MAX 16 pcs. - 17 kg back ballast
1.03	Manufacturer		Zallys

8. Technical data

Réf.no.	Description	U.M.	Valeur
8.23	Structure		In steel
8.24	Surface treatment		Galvanizing

9. Weight

Réf.no.	Description	U.M.	Valeur
9.20	Weight	kg	17

10. Dimensions

Réf.no.	Description	U.M.	Valeur
10.01	Length	mm	730
10.02	Width	mm	310
10.05	Height	mm	10
10.50	**For further details please click on technical draws		