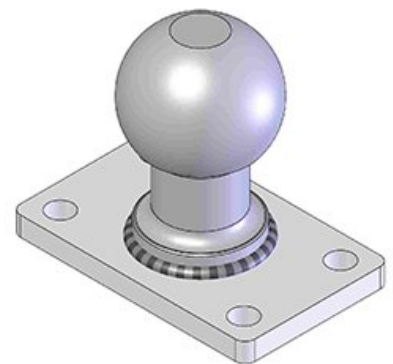
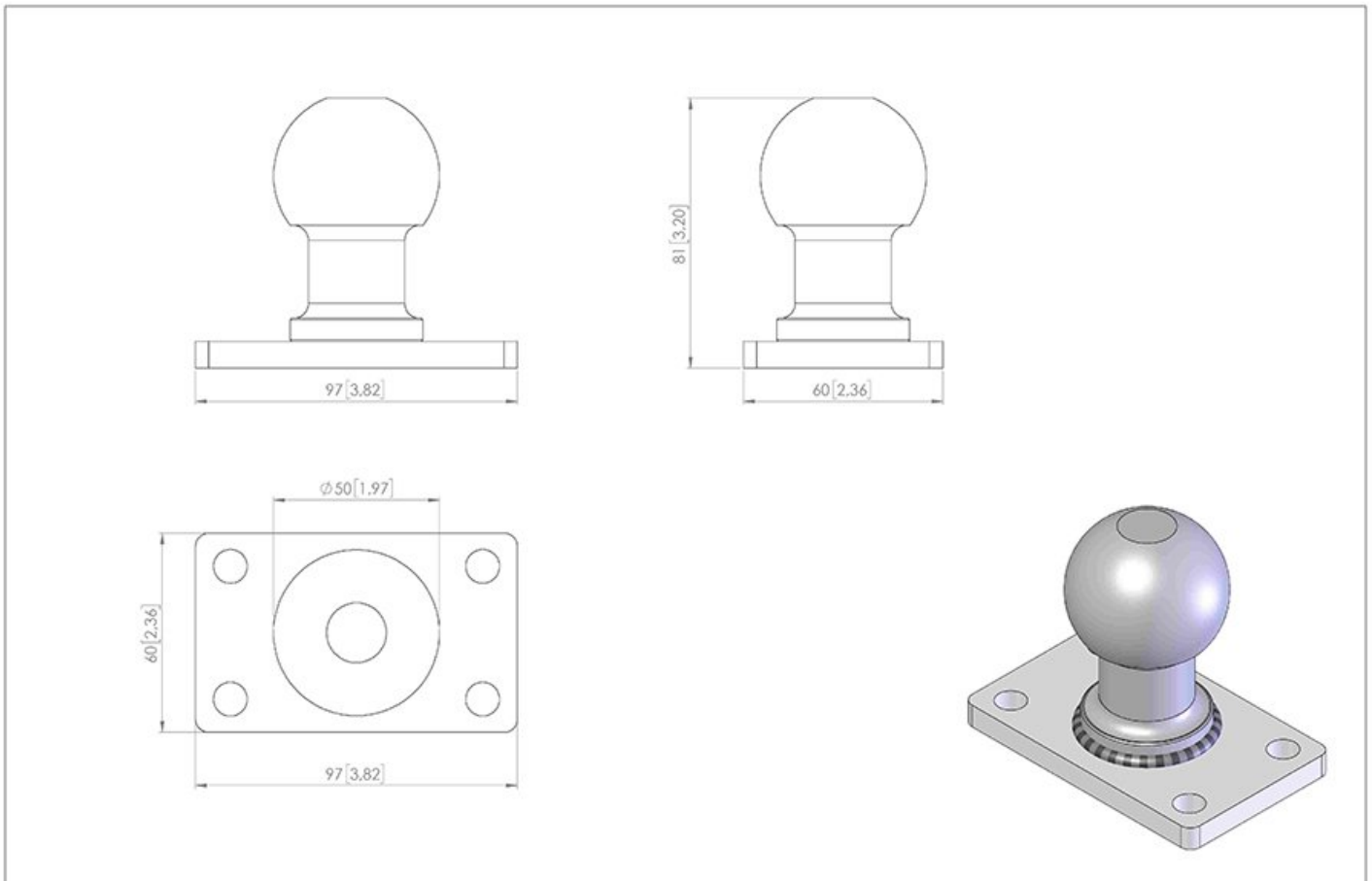


Tow ball hitch (upper block)



ZGA007.800===

Technical drawing



Zallys	TABLE: ZGA007.800	Unit: mm / [inch]	1:1
---------------	-----------------------------	---------------------	-----

Tow ball hitch (upper block)

Technical data

1. Characteristics

Réf.no.	Description	U.M.	Valeur
1.01	Model number		ZGA007.800===
1.02	Model name		Tow ball hitch (upper block)
1.03	Manufacturer		Zallys

8. Technical data

Réf.no.	Description	U.M.	Valeur
8.23	Structure		In steel
8.24	Surface treatment		Galvanizing

9. Weight

Réf.no.	Description	U.M.	Valeur
9.20	Weight	kg	1

10. Dimensions

Réf.no.	Description	U.M.	Valeur
10.01	Length	mm	97,00
10.02	Width	mm	60,00
10.05	Height	mm	82,00
10.50	**For further details please click on technical draws		