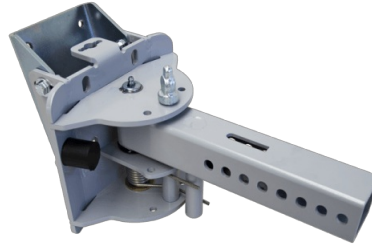


Pivoting support arm for hitches



ZG60.021.700===

Technical drawing

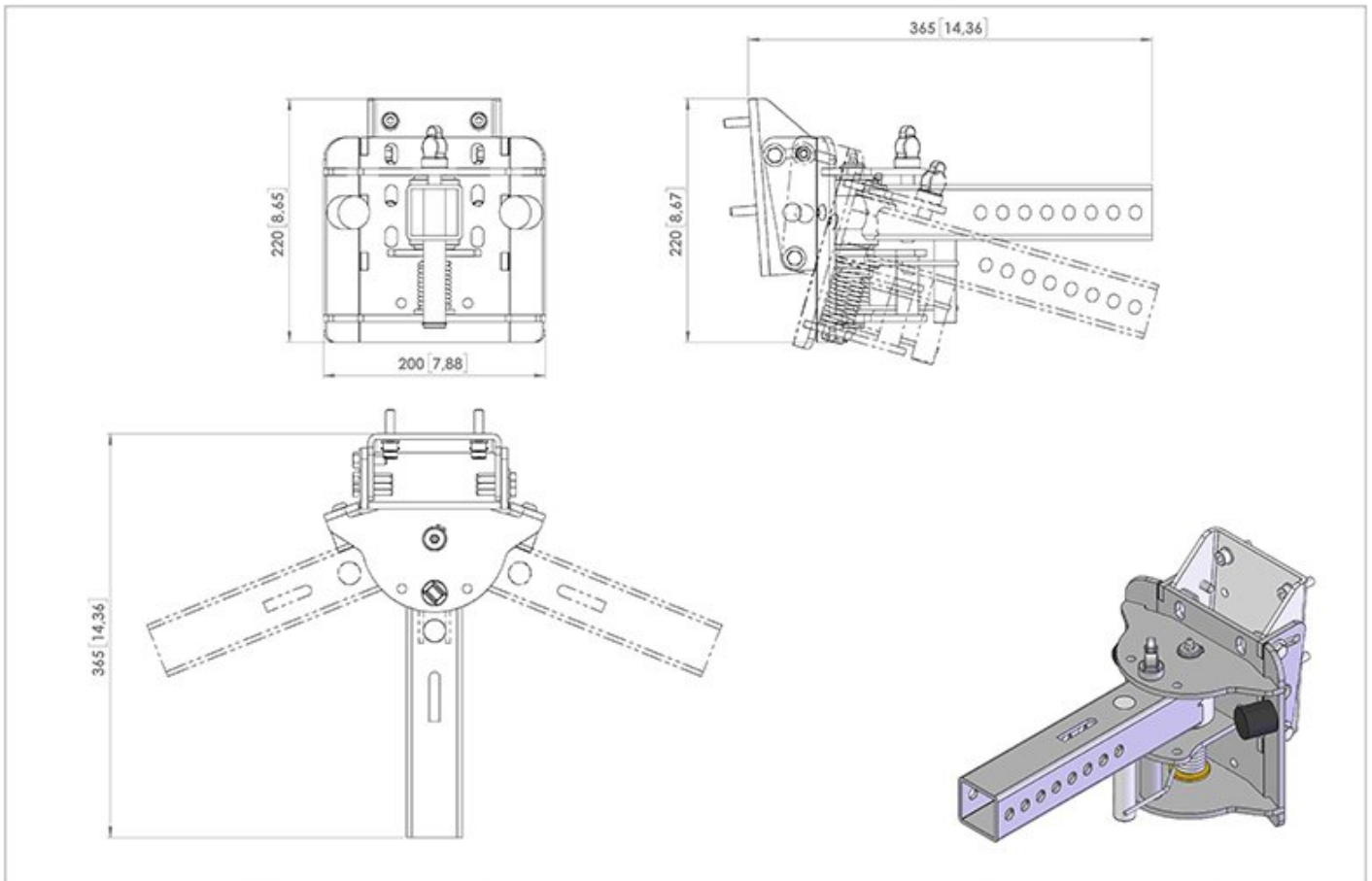


	TABLE: ZG60.021.700	Unit: mm / [inch]	1:3
--	-------------------------------	---------------------	-----

Pivoting support arm for hitches

Technical data

1. Characteristics

Réf.no.	Description	U.M.	Valeur
1.01	Model number		ZG60.021.700===
1.02	Model name		Pivoting support arm for hitches
1.03	Manufacturer		Zallys

8. Technical data

Réf.no.	Description	U.M.	Valeur
8.13	Connecting device		Spring loaded
8.23	Structure		In steel
8.24	Surface treatment		Polyester powder coating

9. Weight

Réf.no.	Description	U.M.	Valeur
9.20	Weight	kg	8

10. Dimensions

Réf.no.	Description	U.M.	Valeur
10.01	Length	mm	365,00
10.02	Width	mm	200,00
10.05	Height	mm	220,00
10.50	**For further details please click on technical draws		