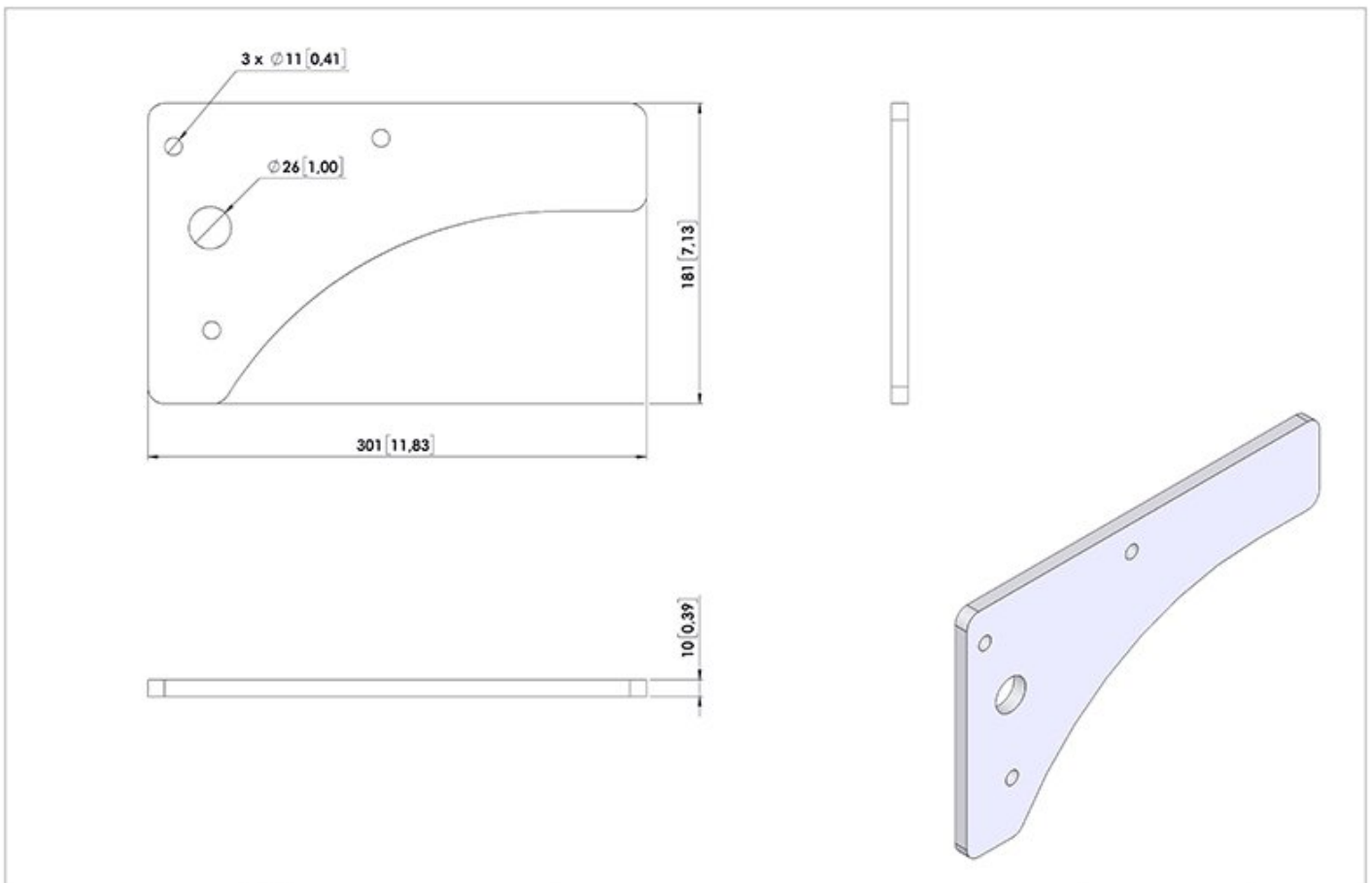


# MAX 10 pcs. - 2.5 kg front ballast



**Z162.852**

## Technical drawing



<b>Zallys</b>	TABLE: <b>Z162.852</b>		mm / [inch]	1:2
---------------	------------------------	--	-------------	-----

# MAX 10 pcs. - 2.5 kg front ballast

## Technical data

### 1. Characteristics

Réf.no.	Description	U.M.	Valeur
1.01	Model number		Z162.852
1.02	Model name		MAX 10 pcs. - 2.5 kg front ballast
1.03	Manufacturer		Zallys

### 8. Technical data

Réf.no.	Description	U.M.	Valeur
8.23	Structure		In steel
8.24	Surface treatment		Galvanizing

### 9. Weight

Réf.no.	Description	U.M.	Valeur
9.20	Weight	kg	3

### 10. Dimensions

Réf.no.	Description	U.M.	Valeur
10.01	Length	mm	301,00
10.02	Width	mm	181,00
10.05	Height	mm	10,00
10.50	**For further details please click on technical draws		