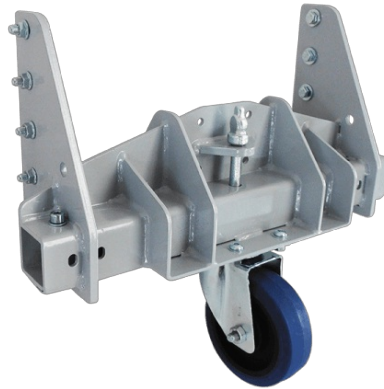
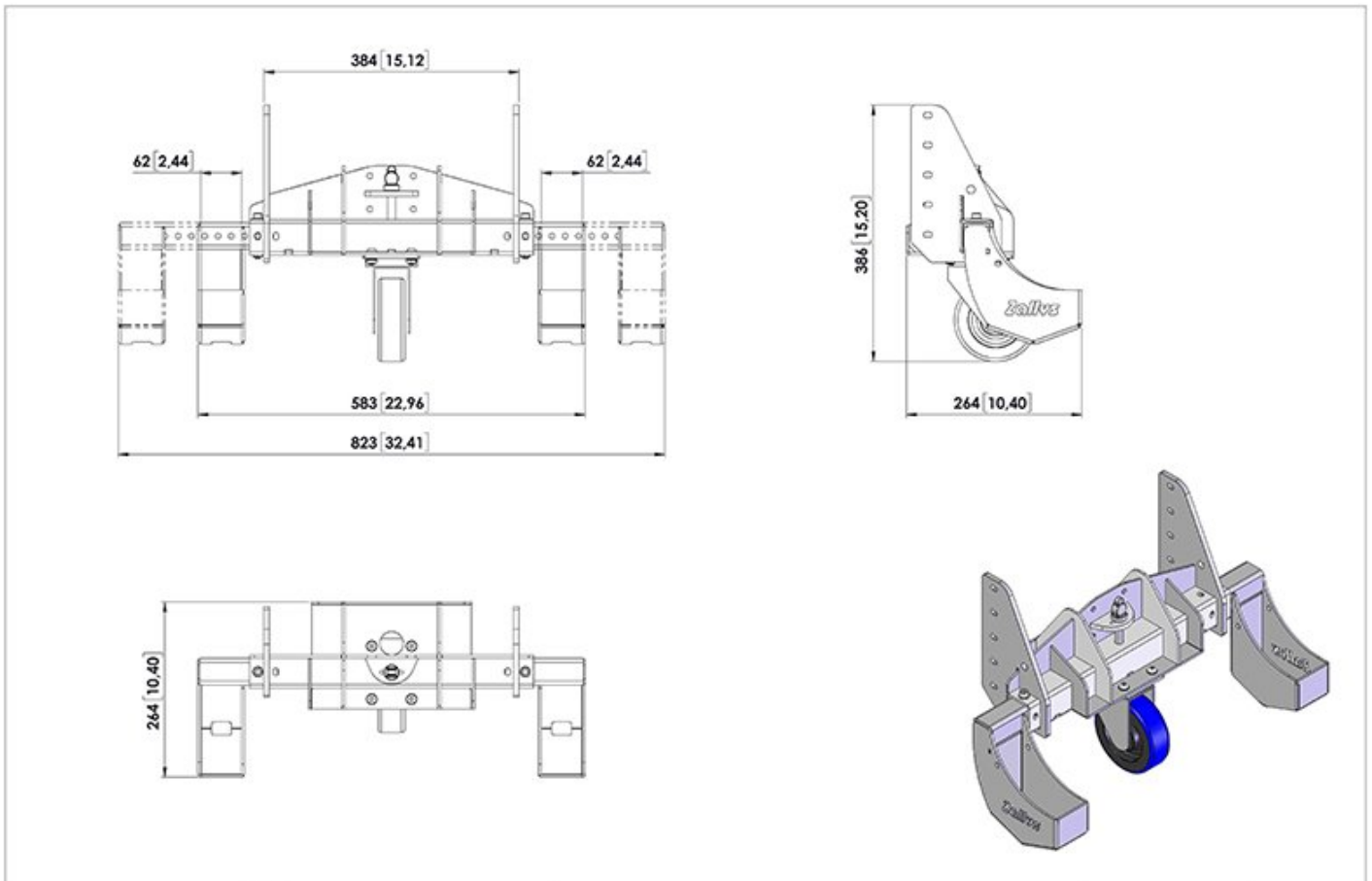


Base of trolley hitch



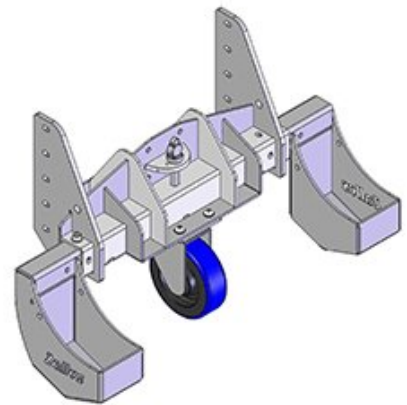
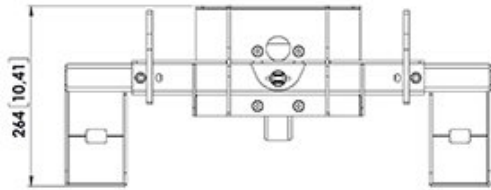
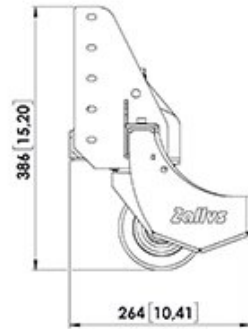
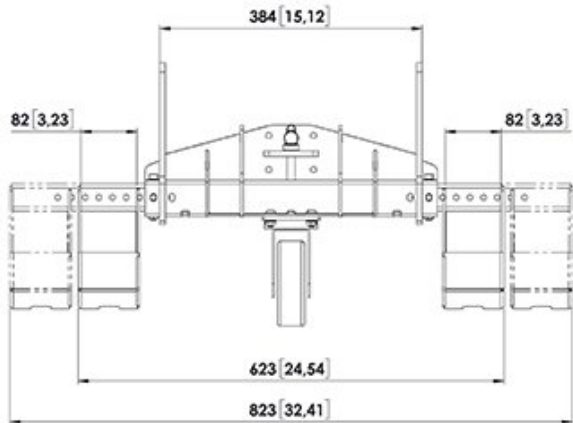
ZG30.006.720===

Technical drawing

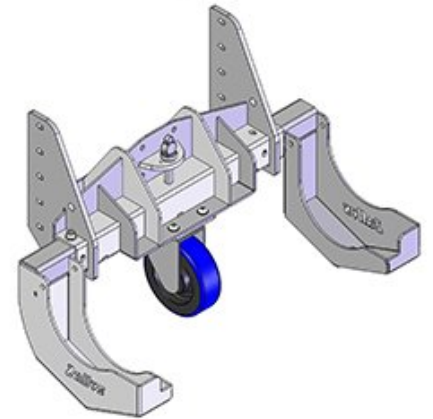
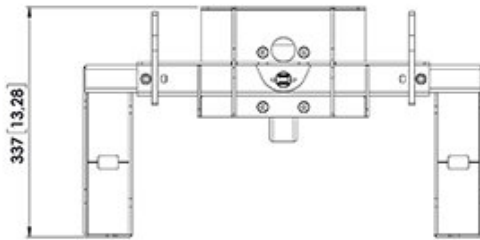
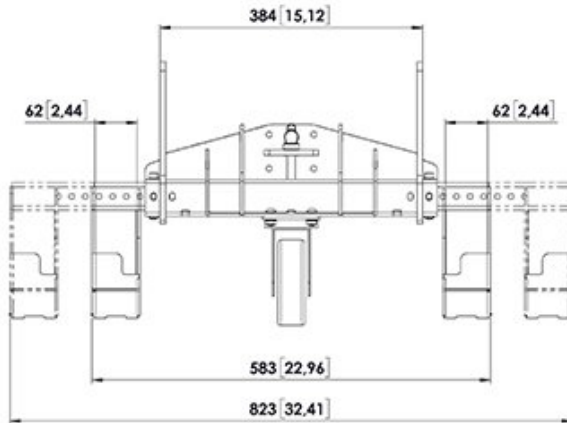


Zallys	TABLE: ZG30.006.720	mm / [inch]	1:5
---------------	----------------------------	-------------	-----

Base of trolley hitch



Base of trolley hitch



Base of trolley hitch

Technical data

1. Characteristics

Réf.no.	Description	U.M.	Valeur
1.01	Model number		ZG30.006.720===
1.02	Model name		Base of trolley hitch
1.03	Manufacturer		Zallys

2. Safety data

Réf.no.	Description	U.M.	Valeur
2.08	Light signaling device		Rotating beacon

8. Technical data

Réf.no.	Description	U.M.	Valeur
8.23	Structure		In steel
8.24	Surface treatment		Galvanizing

9. Weight

Réf.no.	Description	U.M.	Valeur
9.20	Weight	kg	14

10. Dimensions

Réf.no.	Description	U.M.	Valeur
10.01	Length	mm	475,00
10.02	Width	mm	897,00
10.05	Height	mm	1.690,00
10.50	**For further details please click on technical draws		