

Tow ball hitch (frontal block)



ZGA007.801===

Technical drawing

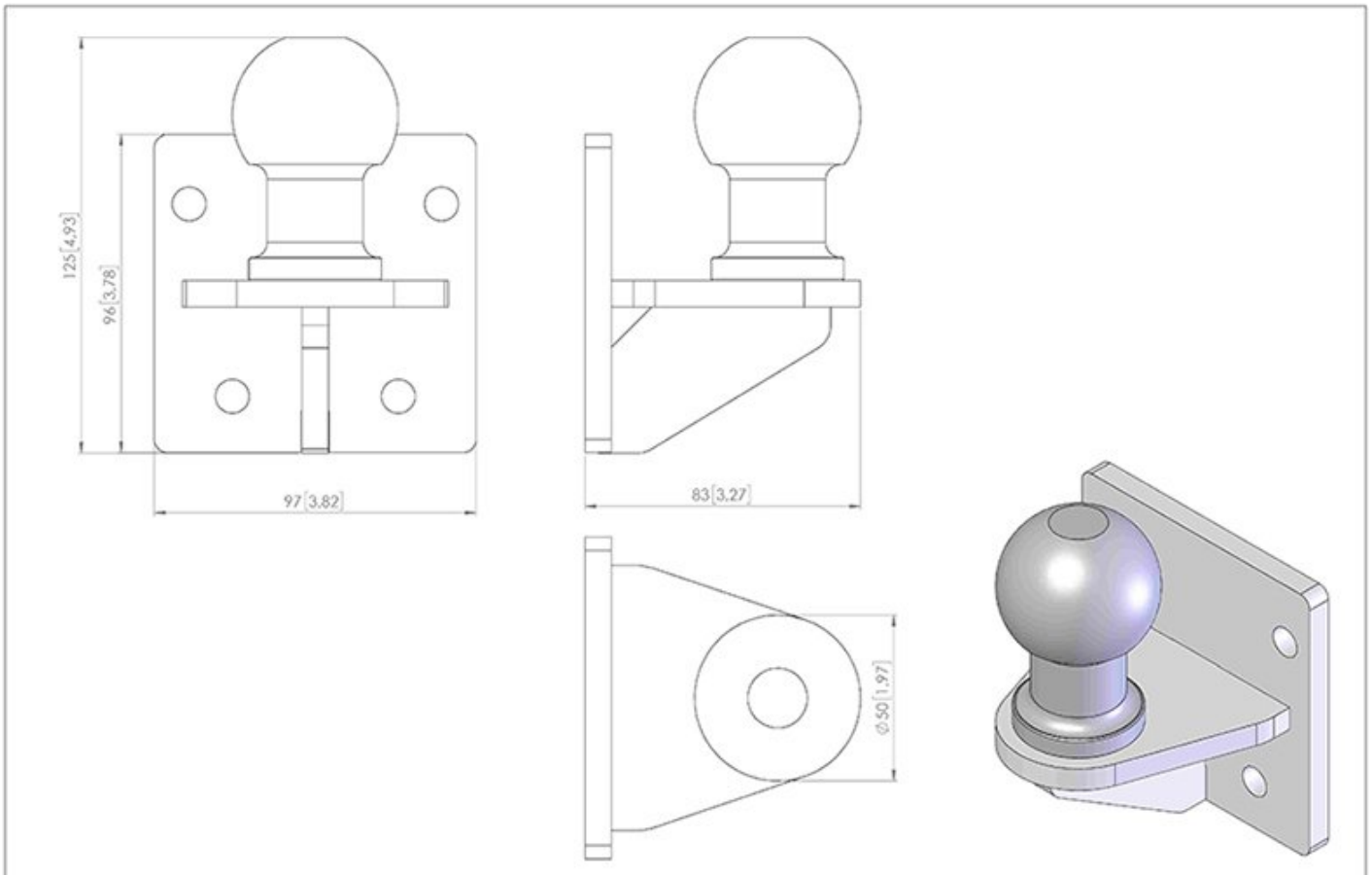


	TABLE: ZGA007.801		Unit: mm / [inch]	1:1
--	-----------------------------	--	---------------------	-----

Tow ball hitch (frontal block)

Technical data

1. Characteristics

Réf.no.	Description	U.M.	Valeur
1.01	Model number		ZGA007.801===
1.02	Model name		Tow ball hitch (frontal block)
1.03	Manufacturer		Zallys

8. Technical data

Réf.no.	Description	U.M.	Valeur
8.23	Structure		In steel
8.24	Surface treatment		Galvanizing

10. Dimensions

Réf.no.	Description	U.M.	Valeur
10.01	Length	mm	83
10.02	Width	mm	97
10.05	Height	mm	125
10.50	**For further details please click on technical draws		