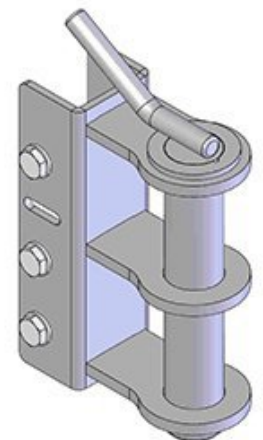
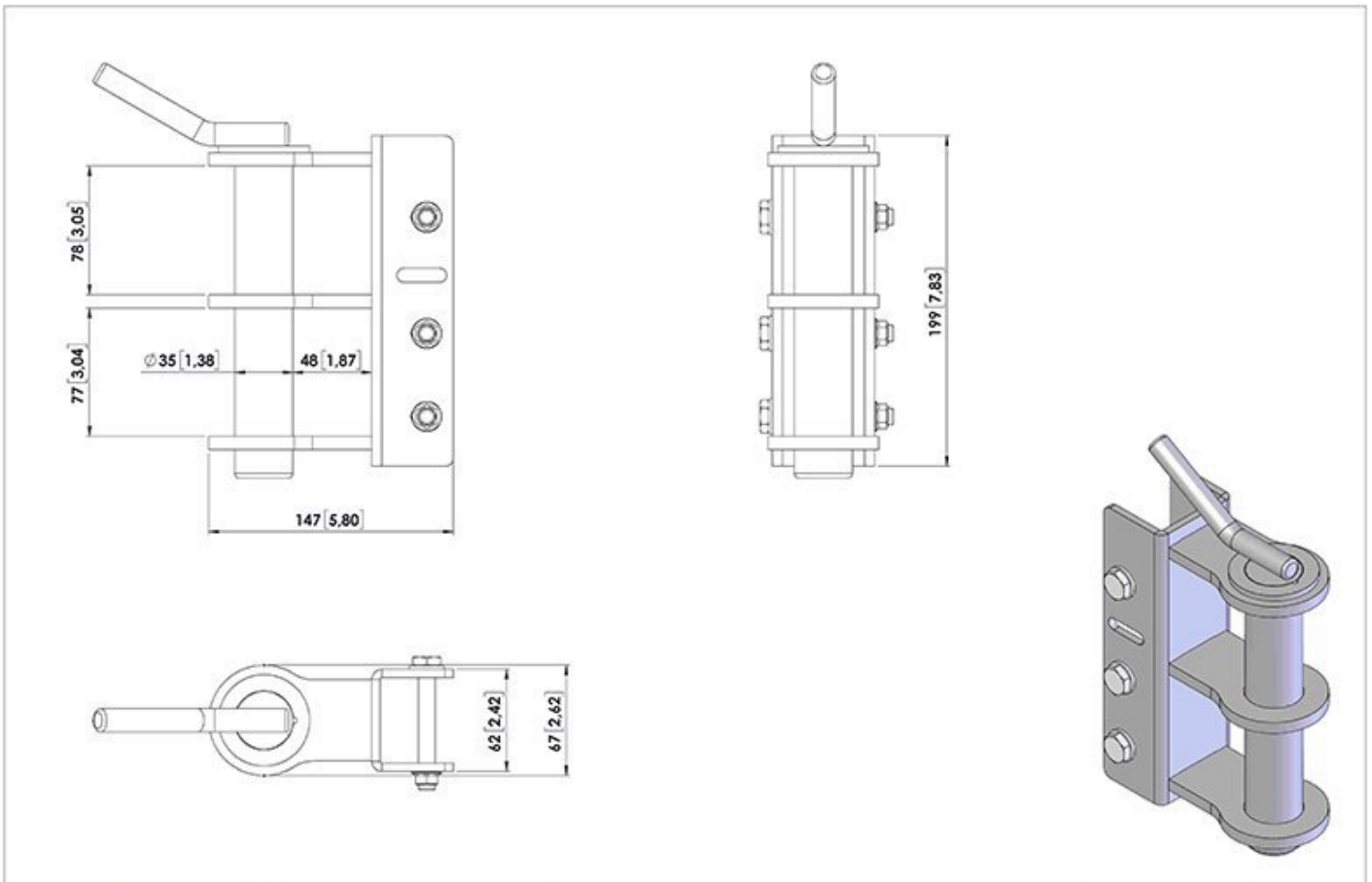


# Drop pin hitch $\tilde{\sim}$ 35 mm



**ZG3.223.720===**

## Technical drawing



<b>Zallys</b>	TABLE: <b>ZG3.223.720</b>	mm / [inch]	1:2
---------------	------------------------------	-------------	-----

# Drop pin hitch Ã~35 mm

## Technical data

### 1. Characteristics

Réf.no.	Description	U.M.	Valeur
1.01	Model number		ZG3.223.720===
1.02	Model name		Drop pin hitch Ø35 mm
1.03	Manufacturer		Zallys

### 8. Generic technical data

Réf.no.	Description	U.M.	Valeur
8.23	Structure		In steel
8.24	Surface treatment		Galvanizing

### 9. Weight

Réf.no.	Description	U.M.	Valeur
9.20	Weight	kg	4

### 10. Dimensions

Réf.no.	Description	U.M.	Valeur
10.01	Length	mm	152
10.02	Width	mm	75
10.05	Height	mm	199
10.50	**For further details please click on technical draws		