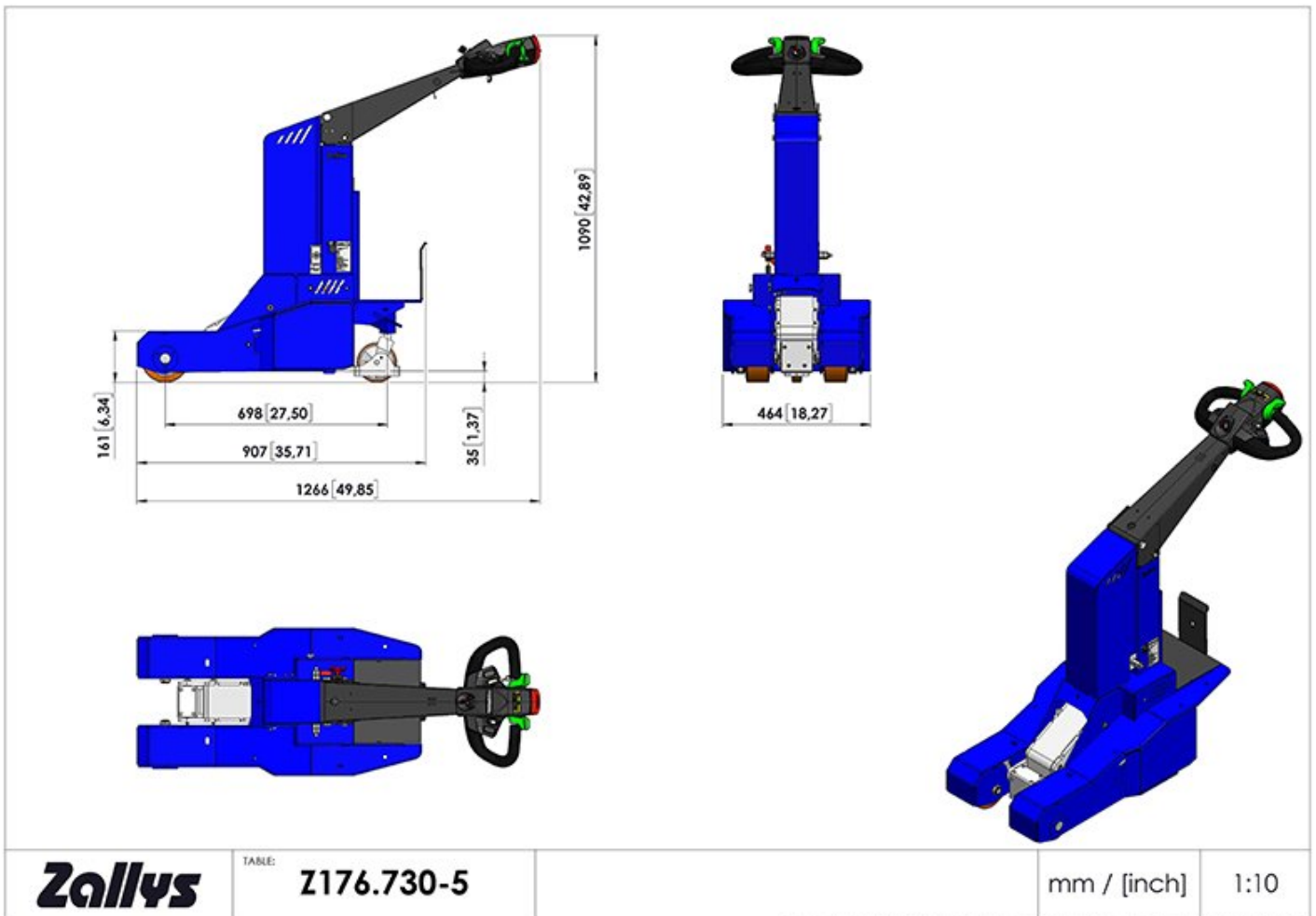


**Z176.730-5===**

**Technical drawing**



## Technical data

### 1. Characteristics

Réf.no.	Description	U.M.	Valeur
1.01	Model number		Z176.700-1
1.02	Model name		M16 (S)
1.03	Manufacturer		ZALLYS
1.04	Operator		Pedestrian
1.05	Power unit		Electric
1.07	CE certification		
1.08	Plant tension	V	24
1.09	Nominal power	kW	0,40

### 1. Frame characteristics

Réf.no.	Description	U.M.	Valeur
1.80	Frame made of		Steel
1.81	Basic process		Sandblasting
1.83	Frame treatment		Polyester powder coating

### 2. Safety data

Réf.no.	Description	U.M.	Valeur
2.02	Emergency reverse button		On tiller head
2.06	Power supply disconnection device / Emergency stop		Detachable power connector
2.10	Acoustic signaling		Beeper
2.11	Drive controls		Maintained action switch
2.15	Wheels		Wheels protection
2.20	Handarm vibration	m/s <sup>2</sup>	<2,5
2.22	Noise level at operator's ears	dB	<70

### 3. Performances

Réf.no.	Description	U.M.	Valeur
3.01	Max. forward speed	km/h	4,0
3.02	Max. backward speed	km/h	4,0
3.11	Max. lifting capacity	kg	1.800

Réf.no.	Description	U.M.	Valeur
3.12	Max. towing capacity on wheels **	kg	6.000
3.27	Max towing force at hook **	N	1100
3.28	Stopping distance in deceleration (without load)	m	1
3.31	* Load capacity is subject to kind of slope , kind of floor and operating time		
3.33	** While the force expressed in N at the hook remains unchanged, the following circumstances may affect the towing capacity expressed in KG : type of ground on which the towing is performed, the use (or not) of ballasts and type of wheels mounted on the vehicle and on the trailer		

### 3. Technical data of hydraulic tilting system

Réf.no.	Description	U.M.	Valeur
3.80	System voltage	V	24
3.81	System pressure	bar	125,00
3.82	Oil type		ISO VG 46
3.83	Oil quantity	l	2,50

### 4. Drive controls

Réf.no.	Description	U.M.	Valeur
4.01	Type of control		Tillerhead
4.02	Type of start control		Butterfly lever
4.04	Speed control		5 speed button assembled on the tiller head
4.05	Lifting system operated by		Lever switch

### 5. Optional battery specifications

Réf.no.	Description	U.M.	Valeur
5.11	Batteries pcs		2
5.12	Batteries type		Traction AGM batteries
5.13	Battery voltage	V	12
5.14	Nominal Capacity 5/h	Ah	35
5.15	Nominal Capacity 20/h	Ah	45
5.16	Weight of each battery	kg	14
5.20	Weight of battery pack	kg	37

### 5. Optional battery specifications

Réf.no.	Description	U.M.	Valeur
5.21	Batteries		1
5.22	Batteries type		Traction - Lithium
5.23	Battery voltage	V	24
5.24	Nominal Capacity k5	Ah	40
5.26	Weight of each battery	kg	12
5.30	Weight of battery pack	kg	13

## 6. Available chargers

Réf.no.	Description	U.M.	Valeur
6.40	Standard voltage	V	220/240
6.41	Multitension	V	110/240
6.42	Plug		In use in the country of destination

## 6. Technical data of standard charger

Réf.no.	Description	U.M.	Valeur
6.01	Battery charger		External - high frequency
6.02	Input voltage	V	230
6.03	Input Frequency	Hz	50-60
6.05	Battery charger capacity	Ah	20
6.06	Power consumption during complete charge cycle	kWh	1
6.07	Operating temperature	°C	-20 / +40
6.08	Operation display		Led
6.09	Input fuse	A	5
6.10	Cooling system		Ventilation cooling
6.11	IP degrees of protection		IP20
6.12.1	Width	mm	95
6.12.2	Length	mm	185
6.12.3	Height	mm	55

## 6. Optional charger specifications

Réf.no.	Description	U.M.	Valeur
6.14	Charger suitable for AGM batteries of	A	35/45
6.15	Battery Charger Capacity	Ah	4
6.18	Power consumption during complete charge cycle	kWh	1
6.19	**for all other details please refer to standard charger specifications		

## 7. Drive motor

Réf.no.	Description	U.M.	Valeur
7.03	Engine		Electric
7.05	Engine voltage	V	24
7.06	Rating (S2 - 5')	kW	0,4
7.15	Maximum peak power	kW	1,6

## 8. Technical data

Réf.no.	Description	U.M.	Valeur
8.01	Transmission system		Mechanical + Chain
8.02	Transmission lubrication		In oil bath
8.06	Service brake		Electronic
8.08	Parking brake		Electro-Mechanical
8.22	Lifting system operated by		Manual

## 9. Weight

Réf.no.	Description	U.M.	Valeur
9.01	Weight without batteries	kg	142
9.05	Weight incl. 37/45A AGM batteries	kg	179
9.16	Weight incl. 40A Lithium battery	kg	163

## 10. Dimensions

Réf.no.	Description	U.M.	Valeur
10.14	Wheelbase	mm	698,00

## 11. Standard wheels

Réf.no.	Description	U.M.	Valeur
11.01	Drive wheels		2
11.03	Pivoting wheels no.		2
11.05	Tyres		Polyurethane (oil resistant)
11.16	Pivoting wheel size		125 X 2