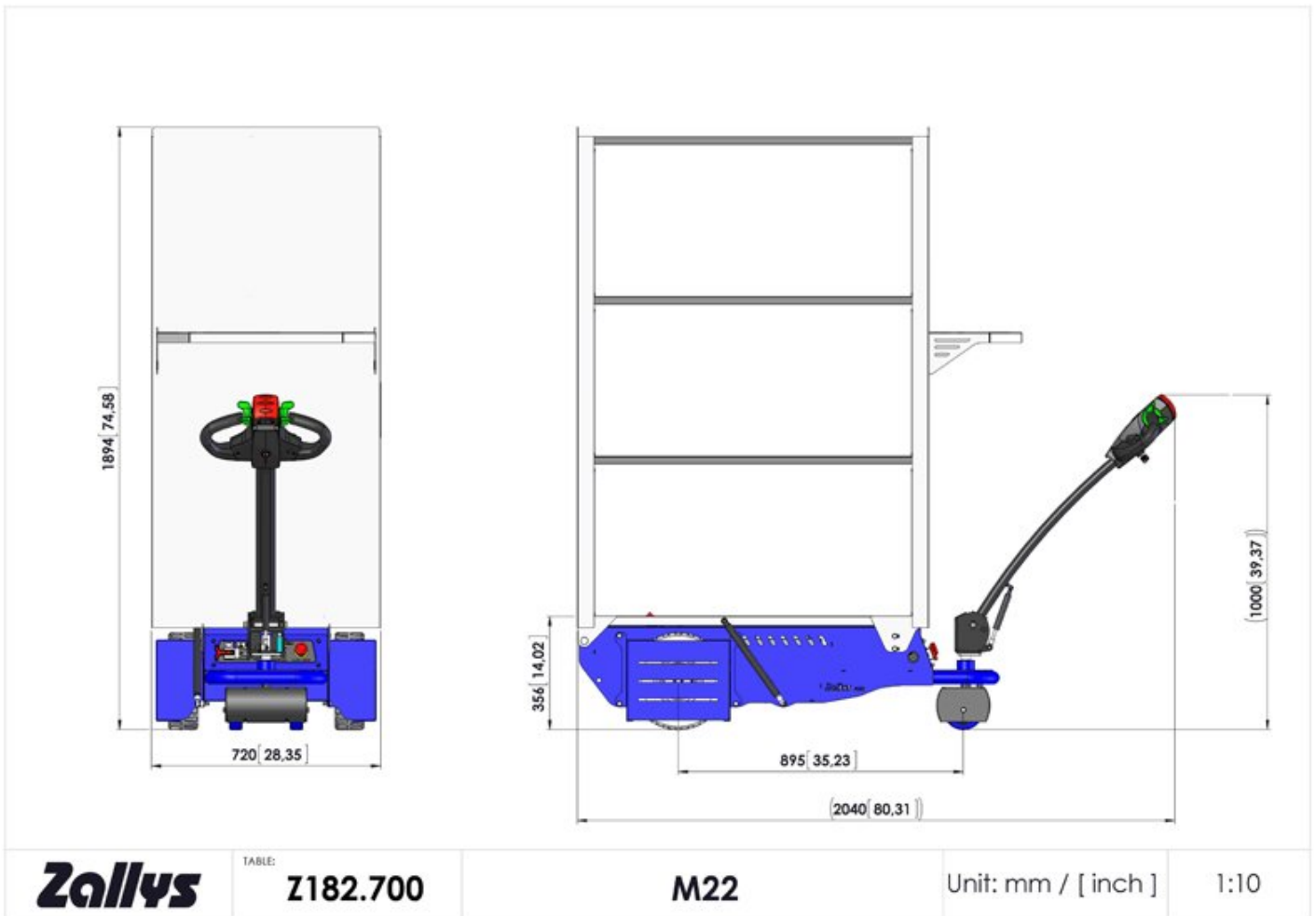


Z182.705-1===

Technical drawing



Technical data

1. Characteristics

Réf.no.	Description	U.M.	Valeur
1.01	Model number		Z182.705
1.02	Model name		M22
1.03	Manufacturer		ZALLYYS
1.04	Operator		Pedestrian
1.05	Power unit		Electric
1.07	CE certification		
1.08	Plant tension	V	24
1.09	Nominal power	kW	0,60

1. Frame characteristics

Réf.no.	Description	U.M.	Valeur
1.80	Frame made of		Steel
1.82	Anti-Corrosion Treatment (on customer demand only)		Cataphoresis
1.83	Frame treatment		Polyester powder coating

2. Safety data

Réf.no.	Description	U.M.	Valeur
2.01	Dead man safety system		Sensor on tiller head
2.02	Emergency reverse button		On tiller head
2.03	Emergency stop device		Emergency stop button
2.04	Creep speed device		Button on tillerhead
2.06	Power supply disconnection device / Emergency stop		Detachable power connector
2.10	Acoustic signaling		Electric horn
2.11	Drive controls		Maintained action switch
2.20	Handarm vibration	m/s ²	<2,5
2.22	Noise level at operator's ears	dB	<70

3. Performances

Réf.no.	Description	U.M.	Valeur
3.01	Max. forward speed	km/h	4,5

Réf.no.	Description	U.M.	Valeur
3.04	Max. backward speed	km/h	4,5
3.11	Max.load capacity on flat ground	kg	450
3.28	Max.slope with load *	%	20
3.39	Stopping distance in deceleration (without load)	m	1
3.42	* Load capacity is subject to kind of slope , kind of floor and operating time		

4. Drive controls

Réf.no.	Description	U.M.	Valeur
4.01	Type of control		Tillerhead
4.02	Type of start control		Butterfly lever

5. Standard battery specifications

Réf.no.	Description	U.M.	Valeur
5.01	Batteries		2
5.02	Batteries type		Traction lead acid batteries
5.03	Battery voltage	V	12
5.04	Nominal Capacity 5 h	Ah	72
5.05	Nominal Capacity 20 h	Ah	96
5.06	Weight of each battery	kg	25

5. Optional battery specifications

Réf.no.	Description	U.M.	Valeur
5.11	Batteries pcs		2
5.12	Batteries type		Traction AGM batteries
5.13	Battery voltage	V	12
5.14	Nominal Capacity 5/h	Ah	50
5.15	Nominal Capacity 20/h	Ah	70
5.16	Weight of each battery	kg	22

6. Available chargers

Réf.no.	Description	U.M.	Valeur
6.40	Standard voltage	V	220/240
6.41	Multitension	V	110/240
6.42	Plug		In use in the country of destination

6. Technical data of standard charger

Réf.no.	Description	U.M.	Valeur
6.01	Battery charger		External - high frequency
6.02	Input voltage	V	230
6.03	Input Frequency	Hz	50-60
6.05	Battery charger capacity	Ah	12
6.06	Power consumption during complete charge cycle	kWh	2
6.07	Operating temperature	°C	-20 / +40
6.08	Operation display		Led
6.09	Input fuse	A	5
6.10	Cooling system		Ventilation cooling
6.11	IP degrees of protection		IP20
6.12.1	Width	mm	95
6.12.2	Length	mm	185
6.12.3	Height	mm	55

6. Optional charger specifications

Réf.no.	Description	U.M.	Valeur
6.14	Charger suitable for AGM batteries of	A	50/70
6.15	Battery Charger Capacity	Ah	8
6.18	Power consumption during complete charge cycle	kWh	2
6.19	**for all other details please refer to standard charger specifications		

7. Drive motor

Réf.no.	Description	U.M.	Valeur
7.02	Motor code no.		M051.701V
7.03	Engine		Electric
7.04	Electricity		Direct current
7.05	Engine voltage	V	24
7.06	Rating (S2 - 5')	kW	0,6
7.15	Maximum peak power	kW	1,6

8. Technical data

Réf.no.	Description	U.M.	Valeur
8.01	Transmission system		Mechanical
8.02	Transmission lubrication		In oil bath
8.03	Gear reduction		1:26

Réf.no.	Description	U.M.	Valeur
8.04	Kind of oil		80W-90
8.06	Service brake		Electronic
8.08	Parking brake		Electro-Mechanical

9. Weight

Réf.no.	Description	U.M.	Valeur
9.01	Weight without batteries	kg	85
9.08	Weight incl. 72/96A lead acid batteries	kg	135
9.09	Weight incl. 50/70A AGM batteries	kg	129

10. Dimensions

Réf.no.	Description	U.M.	Valeur
10.01	Length	mm	2.040
10.02	Width	mm	720
10.03	Height of start control	mm	1.000
10.08	Loading platform height	mm	356
10.14	Wheelbase	mm	895
10.15	Turning circle	mm	2.200
10.16	* with tiller in vertical position		
10.50	**For further details please click on technical draws		

11. Standard wheels

Réf.no.	Description	U.M.	Valeur
11.01	Drive wheels		2
11.02	Steering wheels		2
11.05	Tyres		Super-elastic non-marking wheel
11.06	Type of tyres		Turf tyres
11.13	Drive tyres size		4.00-4"
11.14	Steering wheels size		Ã~ Ã~125