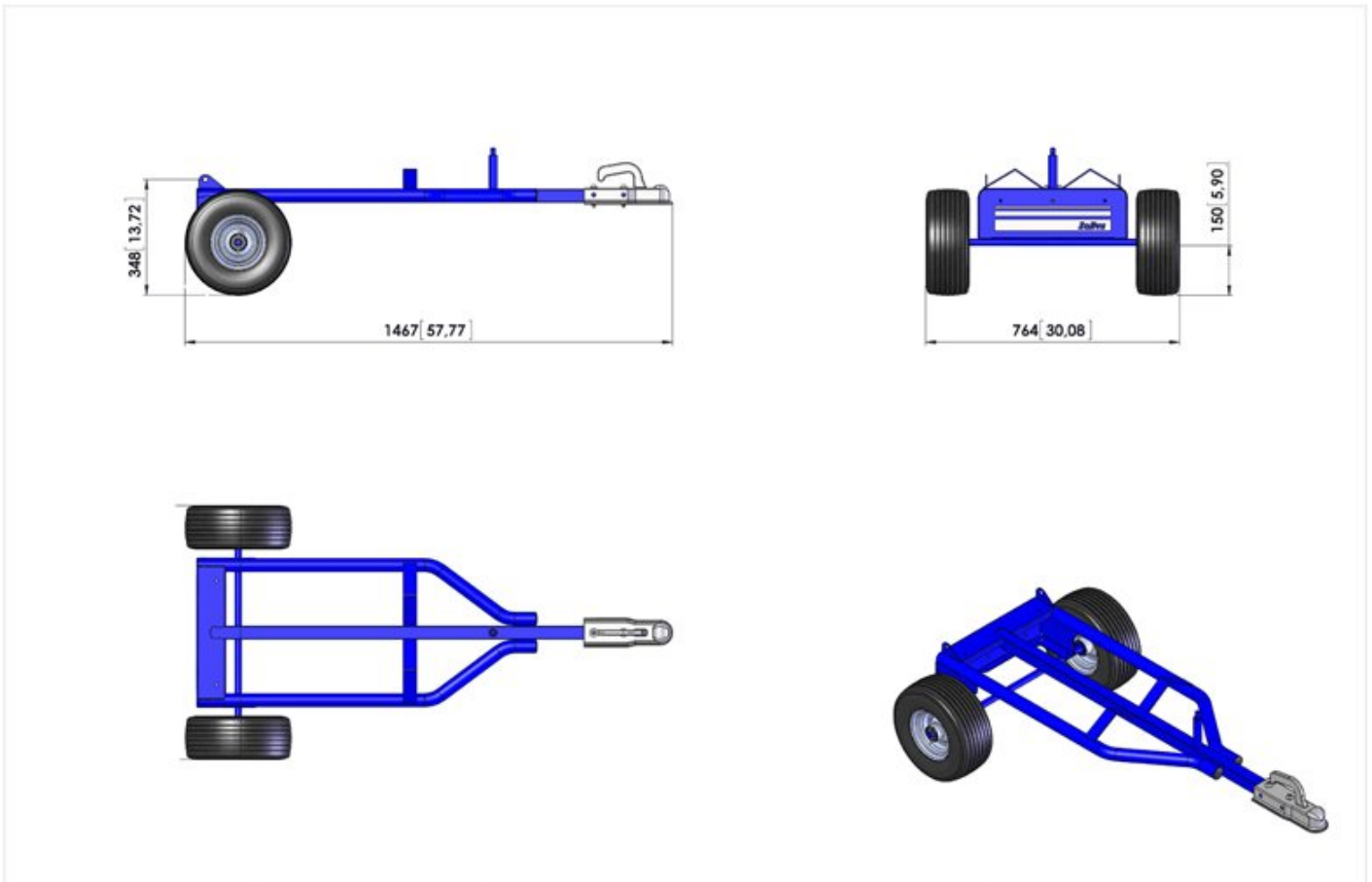




Z125.700

Technical drawing



Zallys	TABLE: Z125.700	T1	Unit: mm / [inch]	1:10
---------------	------------------------	-----------	---------------------	------

Technical data

1. Characteristics

Réf.no.	Description	U.M.	Valeur
1.01	Model number		Z125.700
1.02	Model name		T1
1.03	Manufacturer		Zallys
1.07	CE certification		

1. Frame characteristics

Réf.no.	Description	U.M.	Valeur
1.80	Frame made of		Steel
1.82	Anti-Corrosion Treatment (on customer demand only)		Cataphoresis
1.83	Frame treatment		Polyester powder coating

3. Performances

Réf.no.	Description	U.M.	Valeur
3.05	Max.loading capacity		250

9. Weight

Réf.no.	Description	U.M.	Valeur
9.20	Weight		23
9.21	Weight of trailer plus platform A031.700		62

10. Dimensions

Réf.no.	Description	U.M.	Valeur
10.01	Length		1467
10.02	Width		764
10.07	Height of tow hook		303
10.08	Loading platform height		421
10.50	**For further details please click on technical draws		

11. Standard wheels

Réf.no.	Description	U.M.	Valeur
11.04	Castor wheels		2
11.05	Tyres		Pneumatic
11.06	Type of tyres		Grooved tyres
11.18	Castor wheels dim.		13-5.00-6
11.25	Inflation pressure		1.2 / 1.6