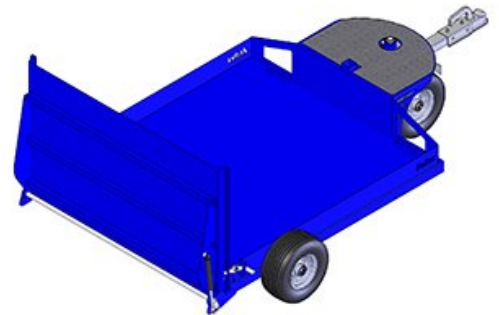
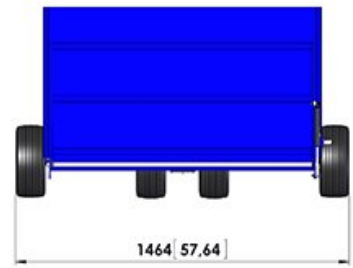
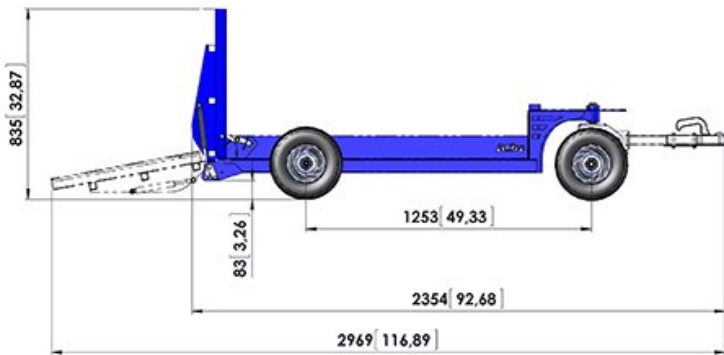




Z207.720

Technical drawing



Zallys	TABLE: Z207.720	T3	Unit: mm / [inch]	1:15
---------------	---------------------------	-----------	---------------------	------

Technical data

1. Characteristics

Réf.no.	Description	U.M.	Valeur
1.01	Model number		Z207.720
1.02	Model name		T3
1.03	Manufacturer		Zallys
1.07	CE certification		

1. Frame characteristics

Réf.no.	Description	U.M.	Valeur
1.80	Frame made of		Steel
1.82	Anti-Corrosion Treatment (on customer demand only)		Cataphoresis
1.83	Frame treatment		Polyester powder coating

3. Performances

Réf.no.	Description	U.M.	Valeur
3.05	Max.loading capacity		700

9. Weight

Réf.no.	Description	U.M.	Valeur
9.20	Weight		150

10. Dimensions

Réf.no.	Description	U.M.	Valeur
10.01	Length		2354
10.02	Width		1464
10.07	Height of tow hook		265
10.08	Loading platform height		181
10.14	Wheelbase		1253
10.50	**For further details please click on technical draws		

11. Standard wheels

Réf.no.	Description	U.M.	Valeur
11.02	Steering wheels		2
11.04	Castor wheels		2
11.05	Tyres		Pneumatic
11.06	Type of tyres		Grooved tyres
11.14	Steering wheels size		13-5.00-6"
11.18	Castor wheels dim.		13-5.00-6
11.25	Inflation pressure		1.2 / 1.6